

**AB/NS**

Order No.: 1201141

<http://eshop.phoenixcontact.de/phoenix/treeViewClick.do?UID=1201141>Support, for insulated mounting of DIN rails in insulated systems,  
plastic, 21 mm high

Commercial data	
EAN	4017918017248
Pack	10 pcs.
Customs tariff	85369010
Weight/Piece	0.01743 KG
Catalog page information	Page 701 (CL-2009)

## Product notes

WEEE/RoHS-compliant since:  
02/01/2006

<http://www.download.phoenixcontact.com>  
Please note that the data given here has been taken from the online catalog. For comprehensive information and data, please refer to the user documentation. The General Terms and Conditions of Use apply to Internet downloads.

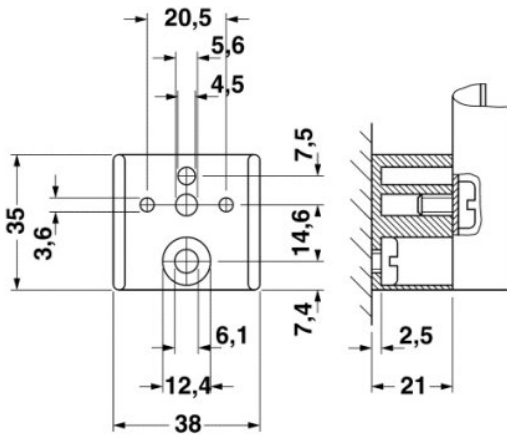
Technical data	
<b>General</b>	
Length (b)	35 mm
Height	21 mm
Width (a)	38 mm
Color	gray
Inflammability class acc. to UL 94	V2

Material

PA

**Diagrams/Drawings**

Dimensioned drawing



**Address**

PHOENIX CONTACT Deutschland GmbH  
Flachmarktstr. 8  
32825 Blomberg, Germany  
Phone +49 5235 3 12000  
Fax +49 5235 3 41200  
<http://www.phoenixcontact.de>



© 2010 Phoenix Contact  
Technical modifications reserved;